

OpTex 138mm Dioptr/Split Dioptr Holder

The OpTex 138mm diameter Dioptr/Split Dioptr Holder has been specifically designed for use with lightweight broadcast cameras, Super 16, 16mm or 35mm motion picture cameras.

For added creativity the bracketry supplied allows the user to adjust the height and lateral position of the holder.

360° rotation is also possible and, should there be a need to change the lens, the holder can be swung away.

The holder is supported by either lightweight support bars or 15/19mm bars via the appropriate bracketr

FEATURES

360° Rotation about center axis

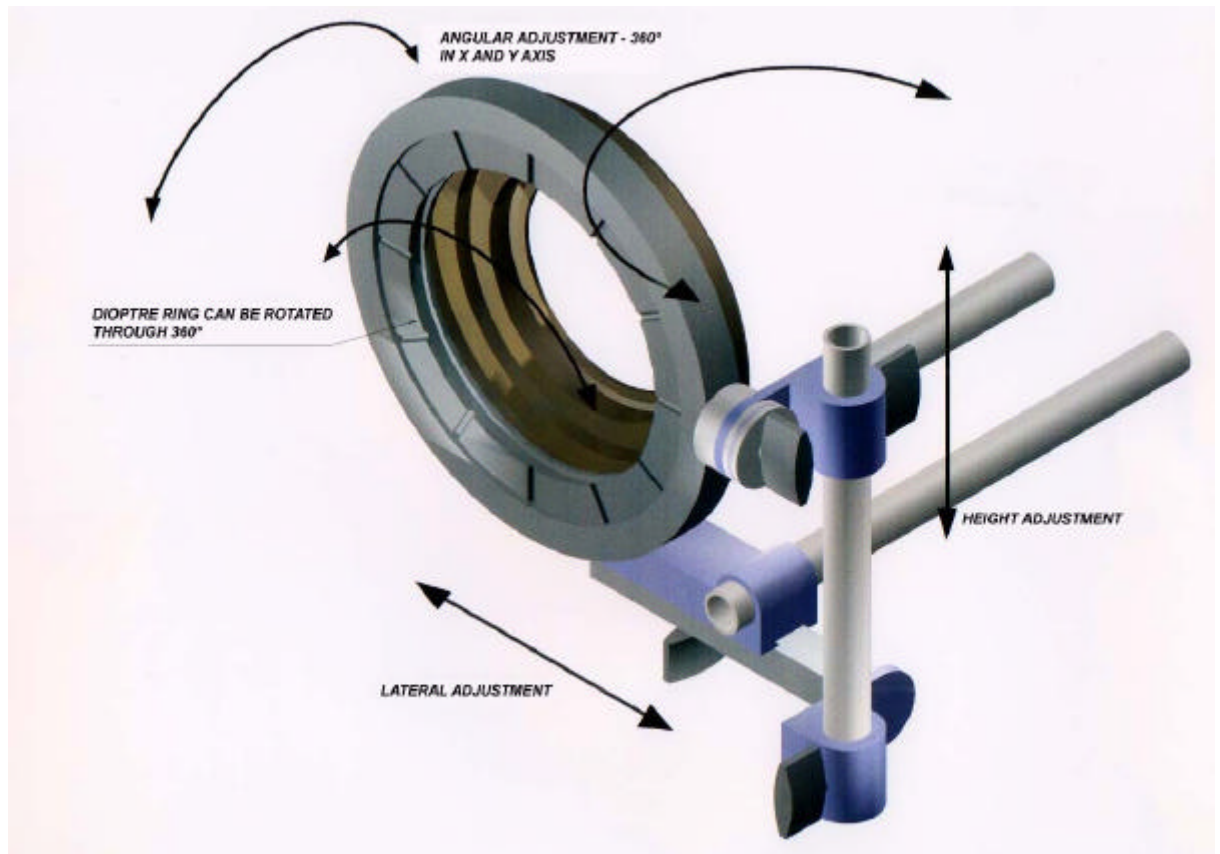
± 45° tilt about X axis

Off Y axis tilt and swing away

± Y axis height adjustment – vertical positioning

Left and right X axis adjustment – horizontal positioning

When fitted with optional adaptor ring accepts 4.5" filters



OpTex

20-26 Victoria Road, New Barnet, N. London EN4 9PF UK

Tel: +44 (0)181 441 2199 e-mail sales@optexint.com

Fax: (Sales): +44 (0)181 449 3646

Fax (Rentals) +44 (0)181 364 9235